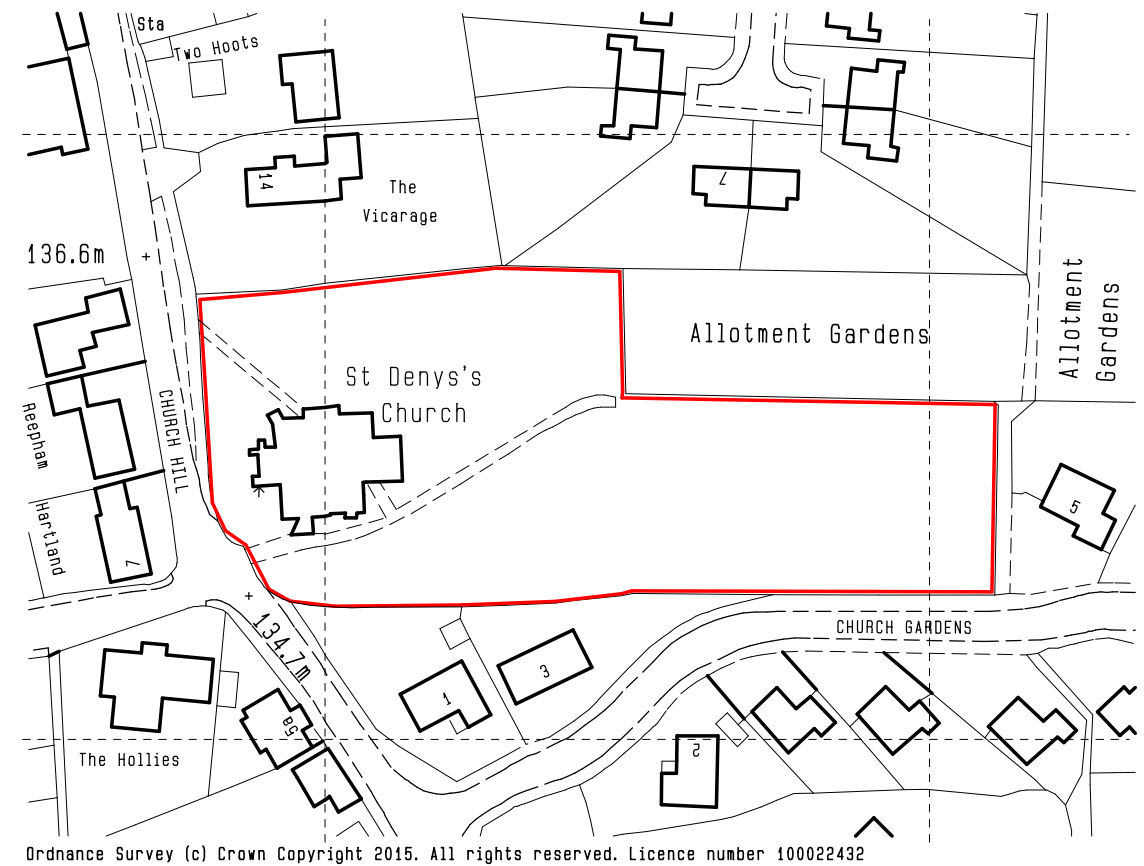
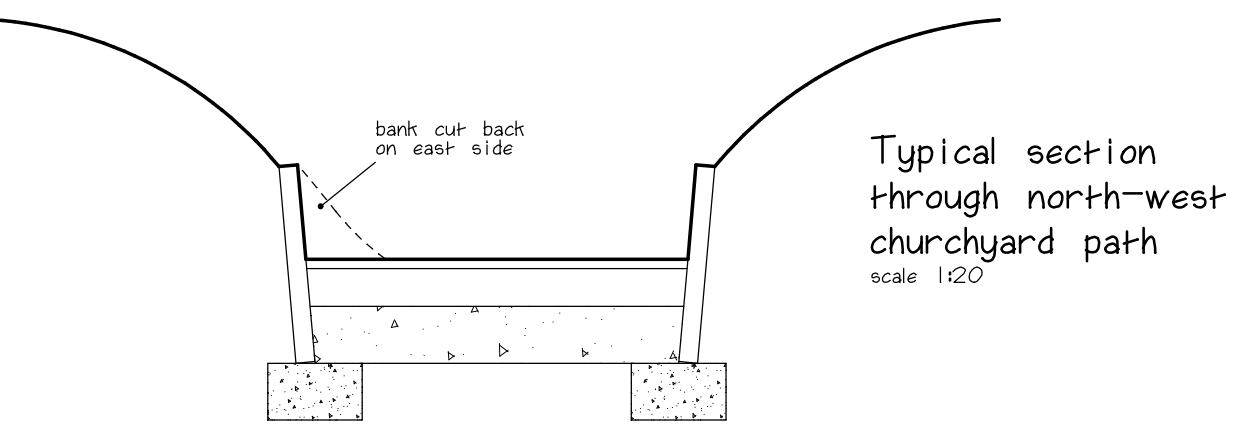


Site plan scale 1:200

Existing north-west churchyard gateway:
This is to be completely rebuilt allowing for elimination of the existing step up from the public footpath to enable full wheelchair access. The work is to include rebuilding of the stone gate piers and internal flanking walls and reinstatement of the existing iron gate.

North-west churchyard path construction:
Excavate existing footpath to new levels and width as shown, disposing of all waste. Lay and compact 150mm DTP type 1 granular sub-base to new falls and 100mm farmac as base to resin gravel finish. Lay 25mm Clearmac bonded resin gravel finish (6mm Country Buff RBV4) in full accordance with manufacturers' recommendations. n.b. the path is to be edged with 50mm thick pre-cast concrete slabs bedded in a concrete strip foundation and inclined at a slight batter to act as a retaining element to the foot of the adjacent earth banks, the average vertical height above the path level being 250mm. Path gradient not to exceed 1 in 15 with 1.5m landings at either end and midpoint.



Location plan Scale 1:1250

Specification Notes:

GENERAL: The information listed below is general information which, unless superseded by information/specifications stated on the drawing is applicable to this design. The existence of any drainage/structure exposed during the building works that is not detailed on the drawings or any inconsistencies/discrepancies between the drawings and the site should be drawn to the attention of the surveyor at the earliest opportunity.

FOUL DRAINAGE(below ground): Hepworth supersleve 100mm dia. PVC pipes /150mm peagravel surround; 600x450mm inspection chambers -215mm semi.eng. brick walls/150mm GEN-0 concrete base and collar/cast iron cover and frames; connections to stub -stacks/SVPs via 200mm (min) radius bend with a rodding point immediately above the ground floor.

FOUL DRAINAGE(above ground): Wash hand basin- 32mm dia. Waste/75mm trap; sink- 40mm dia/75mm trap; toilet 100mm dia/50mm trap; SVP 100mm dia. to terminate 900mm above the highest point of any opening within 3m and terminate via a traditional cast iron air grille.

The contractor must allow for reinstatement of existing finishes following adequate consolidation of backfill.

N.b. Levels to be confirmed by contractor prior to commencement of works

Revisions:
A: 16/02/17 Position of servery area altered.

Title
Church of St. Denys
Ravensthorpe
Proposed new toilet and servery
facilities in north aisle

Drainage
Scale: 1:1250/
200/20
Drg. no.: 24.15-01 A
Drawn: TJP
Date: July 2015

JOHN BARKER
Chartered Building Surveyor
Ecclesiastical and Historic Buildings Consultant